

SCLAVOS

Way of dyeing



Athena S2
20H/50H/80H
Sample Fabric
Dyeing Machines

Athena S2

Sample Fabric Dyeing Machines

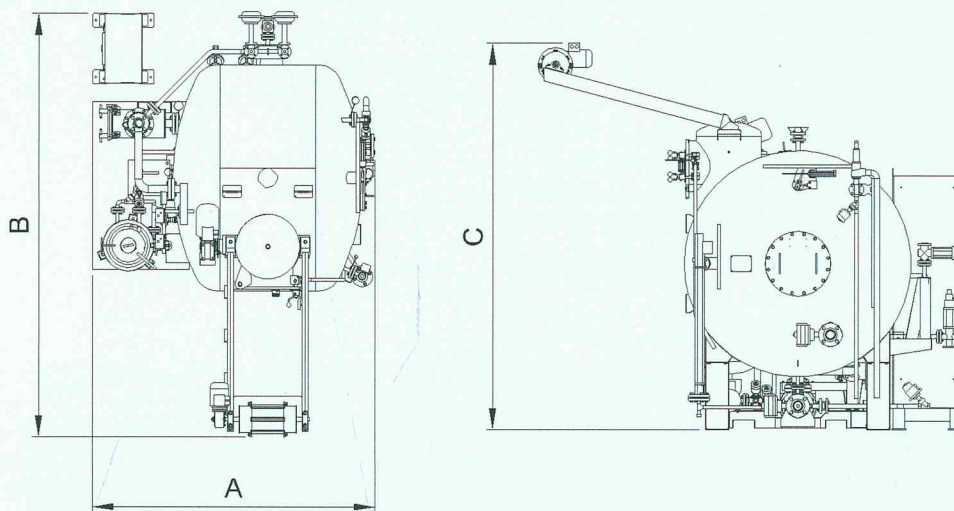
Athena S2 is the new series of high temperature Fabric Dyeing Machines covering capacities of 20kg up to 80kg of fabric.

Machines can operate with low Liquor Ratio in a wide range of loading.

Specially designed Soft Flow Nozzle equipped with liquor by pass, ensures very gentle treatment of sensitive fabrics.

Athena S2 series offers as good high quality of fabric as bulk SCLAVOS machines. Thus, garments samples reflect the quality of bulk garments' production.

New hydraulic design keeps stable liquor flow conditions throughout the process ensuring high batch to batch and lab to batch repeatability.



Machine	Fabric Capacity (Kgs)	DIMENSIONS (mm)		
		A	B	C
Athena S2 20H	20	1740	3060	2400
Athena S2 50H	50	2100	3060	2650
Athena S2 80H	80	2200	3300	3000

www.sclavos.eu

HEADQUARTERS

5 AGHIOU PANTELEIMONOS St. GR., 12241 EGALEO, ATHENS

FACTORY - SERVICE CENTER

320 09 SHIMATARI VIOTIAS - GREECE

TEL.: +3022620 59788, +30210 3471079, FAX.: +3022620 59787

Manufacturer reserves the right to make modification, on shown features of present brochure. Only detailed technical specifications document, represents fully machines' features.